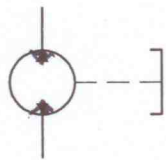
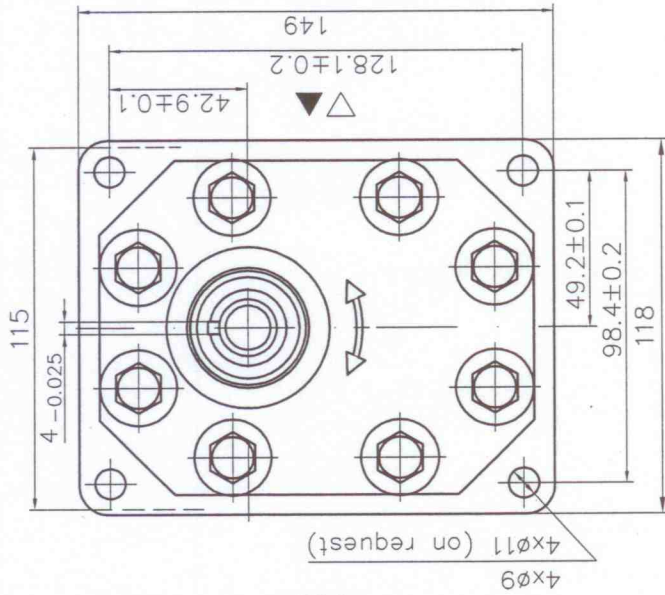




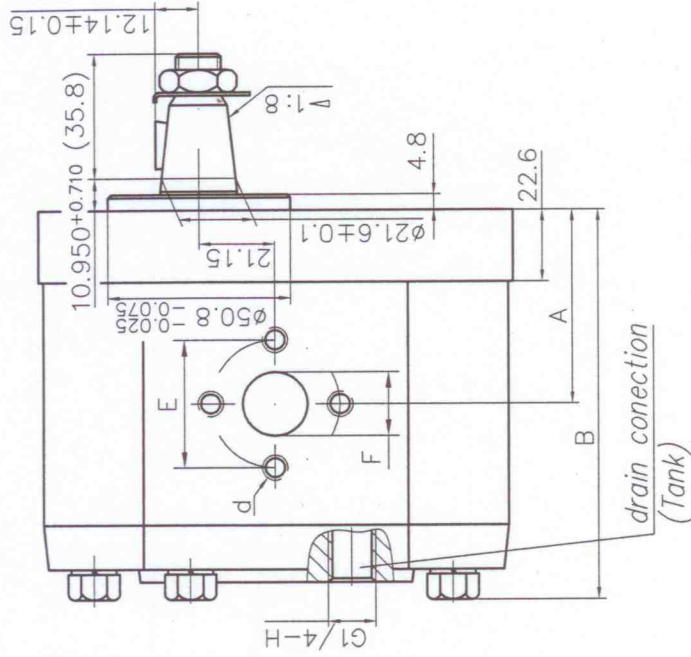
<sup>M</sup>30R...X568H



Type for 4xØ11:  
<sup>M</sup>30R...X568HF



4xØ9  
4xØ11 (on request)



Type Typ Тун	Displacement Foerdervolumen Рабочий объем cm <sup>3</sup>	Dimensions Abmessungen Размери								
		Inlet Saugseite Bxog			Outlet Druckseite Bixog					
		A	B	E	d	F	G			
		mm			mm					
<sup>M</sup> 30R20X568H	20	56.1	116.7	40	M8	19	40	M8	19	
30R22.5X568H	22.5	57.6	119.7	40	M8	19	40	M8	19	
30R25X568H	25	58.3	121.1	40	M8	19	40	M8	19	
30R28X568H	28	60.2	124.7	40	M8	19	40	M8	19	
30R32X568H	32	66.5	137.3	51	M10	27	51	M10	27	
30R36X568H	36	68	140.5	51	M10	27	51	M10	27	
30R42X568H	42	70.8	146.1	51	M10	27	51	M10	27	
30R46X568H	46	72.7	149.8	51	M10	27	51	M10	27	
30R50X568H	50	74.5	153.4	51	M10	27	51	M10	27	
30R55X568H	55	76.7	157.9	51	M10	27	51	M10	27	
30R60X568H	60	78.7	162.4	51	M10	27	51	M10	27	